



Color: Black

Weight: 4.8 lbs

Project:

Type:

Prepared By:

Date:

### Driver Info

|             |                  |
|-------------|------------------|
| Type        | Constant Current |
| 120V        | 0.17A            |
| 208V        | 0.09A            |
| 240V        | 0.08A            |
| 277V        | 0.06A            |
| Input Watts | 19.5W            |

### LED Info

|                |                 |
|----------------|-----------------|
| Watts          | 18W             |
| Color Temp     | 4000K (Neutral) |
| Color Accuracy | 73 CRI          |
| L70 Lifespan   | 100,000 Hours   |
| Lumens         | 2,665 lm        |
| Efficacy       | 136.7 lm/W      |

## Technical Specifications

### Compliance

#### UL Listed:

Suitable for wet locations. Suitable for ground mounting.

#### IESNA LM-79 & LM-80 Testing:

RAB LED luminaires and LED components have been tested by an independent laboratory in accordance with IESNA LM-79 and LM-80.

#### DLC Listed:

This product is listed by Design Lights Consortium (DLC) as an ultra-efficient premium product that qualifies for the highest tier of rebates from DLC Member Utilities. Designed to meet DLC 5.1 requirements.

DLC Product Code: PH9PNDXC3

### LED Characteristics

#### LEDs:

Multi-chip, high-output, long-life LEDs

#### Color Stability:

RAB LEDs exceed industry standards for chromatic stability

#### Color Uniformity:

RAB's range of Correlated Color Temperature follows the guidelines of the American National Standard for Specifications for the Chromaticity of Solid State Lighting (SSL) Products, ANSI C78.377-2017.

### Construction

#### Cold Weather Starting:

The minimum starting temperature is -40°C (-40°F)

#### Thermal Management:

Superior heat sinking with external Air-Flow fins

#### Housing:

Precision die-cast aluminum housing, lens frame and mounting arm

#### Reflector:

Semi-specular, vacuum-metalized polycarbonate

#### Mounting:

Heavy-duty 1/2" thread mounting arm with "O" ring seal & stainless steel screws

#### Gaskets:

High-temperature silicone gaskets

#### Finish:

Our environmentally friendly polyester powder coatings are formulated for high-durability and long-lasting color

#### Green Technology:

Mercury and UV free. RoHS-compliant components.

### Other

#### Warranty:

RAB warrants that our LED products will be free from defects in materials and workmanship for a period of five (5) years from the date of delivery to the end user, including coverage of light output, color stability, driver performance and fixture finish. RAB's warranty is subject to all terms and conditions found at [rablighting.com/warranty](http://rablighting.com/warranty).

#### FTC Country of Origin:

This product was assembled in the USA by RAB using imported components

#### Buy American Act Compliance:

This product complies with the Buy American Act

### Optical

#### NEMA Type:

NEMA Beam Spread of 5H x 5V

### Electrical

#### Driver:

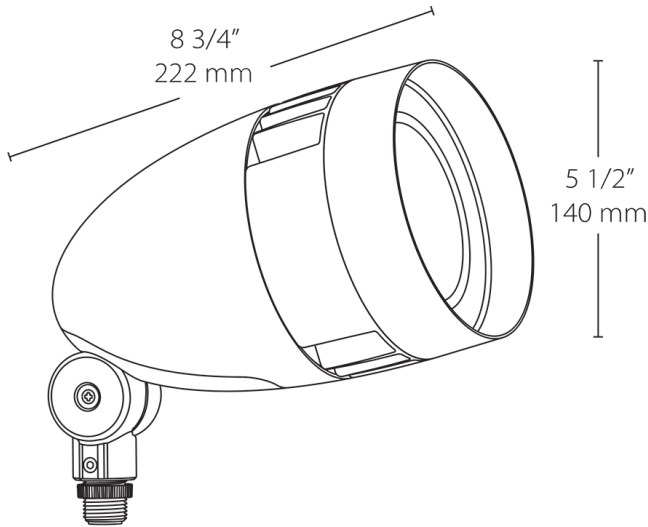
Constant Current, 120-277V with 4kV surge protection, 120V: 0.17A, 208V: 0.09A, 240V: 0.08A, 277V: 0.06A

## Technical Specifications (continued)

**THD:**  
9.38% at 120V, 9.95% at 277V

**Power Factor:**  
99.1% at 120V, 91.6% at 277V

## Dimensions



## Features

- 80% energy savings vs. PAR floods
- Mount on junction box or on RAB Mighty Post
- Patent-pending "Air-Flow" technology
- NEMA type - 5H x 5V
- 5-Year, No-Compromise Warranty

## Ordering Matrix

| Family | Wattage              | Color Temp  | Finish   | Driver Options  | Other Options                           |
|--------|----------------------|---|--|---|---|
| HBLED  | 18                   | N   | B  |   | USA                                     |
|        | 18 = 18W<br>26 = 26W | Blank = 5000K Cool<br>N = 4000K Neutral<br>Y = 3000K Warm | A = Bronze<br>W = White<br>B = Black<br>VG = Verde Green | Blank = No Option<br>/D10 = 0-10V Dimming<br>/480 = 480V - Only available for 26W | Blank = Standard<br>USA = BAA Compliant |